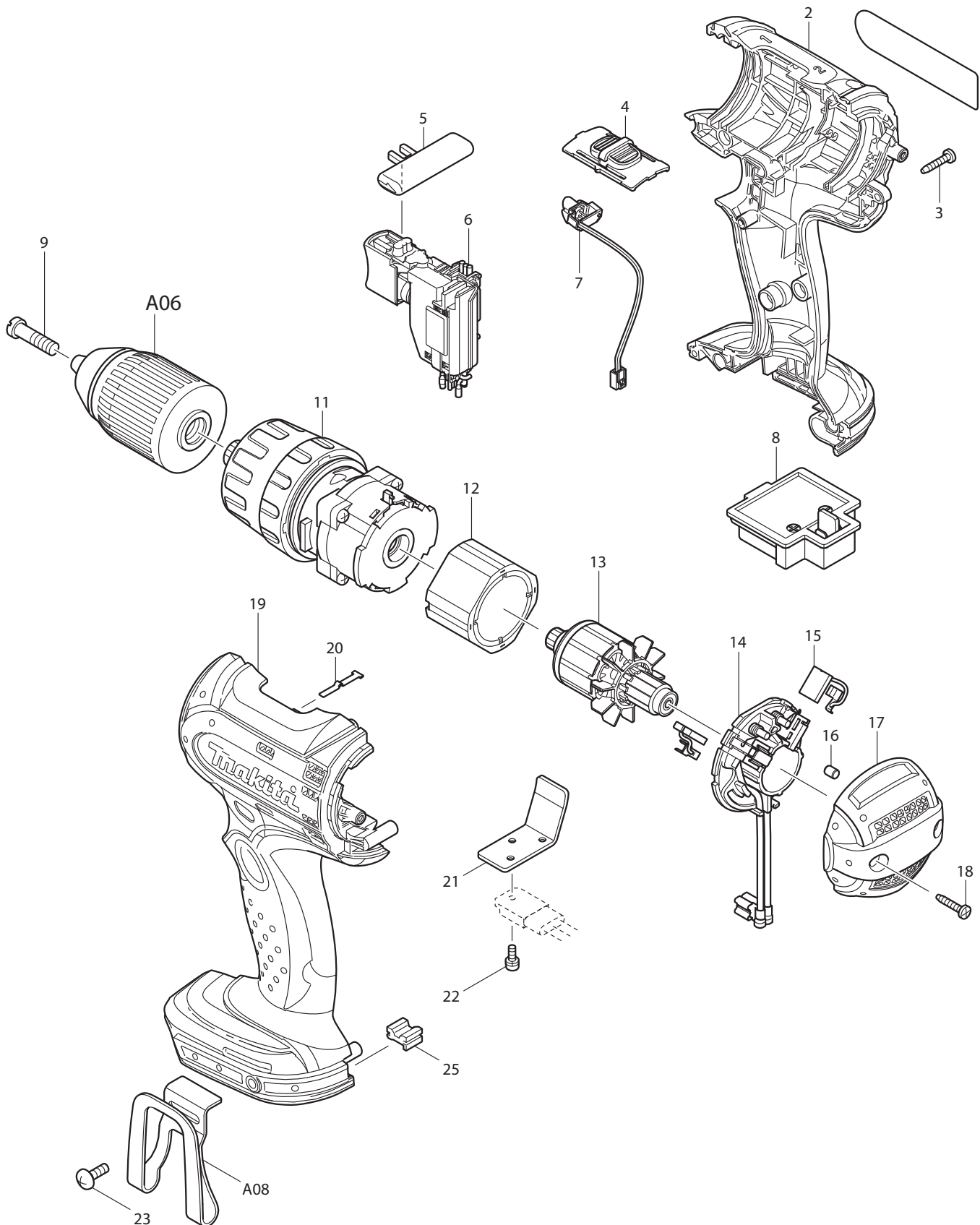




07 - 2008
BHP452 (3.0AH) BLUE
BHP452H (1.5AH) BLUE
BHP452HW (1.5AH) WHITE



Item No	Type	Ref	Part No	Description	Qty	Unit
2			188456-8	HOUSING SET(BLUE)	1	SET
		INC.	263005-3	RUBBER PIN 6	2	PC.
			188455-0	HOUSING SET(WHITE)	1	SET
		INC.	263005-3	RUBBER PIN 6	2	PC.
3			266130-9	TAPPING SCREW BIND PT 3X16	9	PC.
4			125366-8	SPEED CHANGE LEVER ASSY	1	PC.
		INC.	233438-6	COMPRESSION SPRING 4	2	PC.
5			419250-0	F/R CHANGE LEVER	1	PC.
6			650583-6	SWITCH C3HZ-1A-TLM, SINGLE, VAR	1	PC.
7			631735-8	LED CIRCUIT	1	PC.
8	1		643812-4	TERMINAL	1	PC.
	2		643844-1	TERMINAL	1	PC.
9			251472-4	- FLAT HEAD SCREW M6X26	1	PC.
11			125387-0	GEAR ASSEMBLY	1	PC.
12			638425-4	YOKE UNIT	1	PC.
13			619198-8	ARMATURE	1	PC.
14			638494-5	BRUSH HOLDER COMPLETE	1	PC.
15	1		194159-4	CARBON BRUSH CB-436 (2PCS/SET) - N/L/A	1	SET
	2		194427-5	CARBON BRUSH CB-440 (2PCS/SET) W/O ORIGIN - N/L/A	1	SET
	3		195021-6	CARBON BRUSH CB-440 (2PCS/SET) W/ ORIGIN	1	SET
16			263032-0	RUBBER PIN 4	2	PC.
17			419693-6	REAR COVER(BLUE)	1	PC.
			419601-7	REAR COVER(WHITE)	1	PC.
18			266130-9	TAPPING SCREW BIND PT 3X16	2	PC.
20			232182-2	LEAF SPRING	1	PC.
21			689150-0	HEAT SINK	1	PC.
22			911006-2	PAN HEAD SCREW M3X8	1	PC.
23			251314-2	+ SCREW M4X12 (F/HOOK)	1	PC.
25			424026-2	CUSHION	1	PC.
100			810292-1	CAUTION LABEL	1	PC.
101			652045-0	+ P.H.SCREW M3.5X5 (ENDBELL) (F/SWITCH)	1	PC.
A01			784637-8	+- BIT 2-45	1	PC.
A02			DC18RA	DC18RA BATTERY CHARGER	1	PC.
			DC18RAKIT	CHARGER DC18RA + BATTERY	1	SET
			DC18SE	12V AUTOMOTIVE CHARGER DC18SE	1	PC.
			DC24SA	CHARGER F/7.2-24V, 1.3-3.3AH	1	PC.
			DC24SC	CHARGER F/7.2-24V, 1.3-3.3AH	1	PC.
A03			194205-3	18V LI-ION BATTERY BL1830 (3.0AH)	2	PC.
			194230-4	18V LI-ION BATTERY BL1830 (2PCS/PK)	1	PK.
A04			450128-8	BATTERY COVER	1	PC.
A05			824812-5	PLASTIC CARRYING CASE (BLOW MOLD)	1	PC.
		INC.	163455-1	METAL LATCH	2	PC.
A05	Opt.		824774-7	PLASTIC CARRYING CASE (OPTIONAL)	1	PC.
		INC.	324679-6	SHAFT	1	PC.
		INC.	417724-5	LATCH	2	PC.
		INC.	419216-0	HANDLE	1	PC.
A06			763193-1	1/2" KEYLESS DRILL CHUCK	1	PC.
A07	1		419276-2	BIT HOLDER	1	PC.
	2		452947-8	BIT HOLDER	1	PC.
A08			324705-1	HOOK (F/BL1830)	1	PC.
			324705-1	HOOK (F/BL1830)	1	PC.
	1		346034-2	HOOK F/BL1830, BL1815 (BHP452H2 SE until March 2013)	1	PC.
	2		346449-3	HOOK, COMPACT, F/14.4V. 18V (BHP452H2 SE From April 2013)	1	PC.
A09			194649-7	BATTERY PROTECTOR (F/BL1830)	1	PC.